
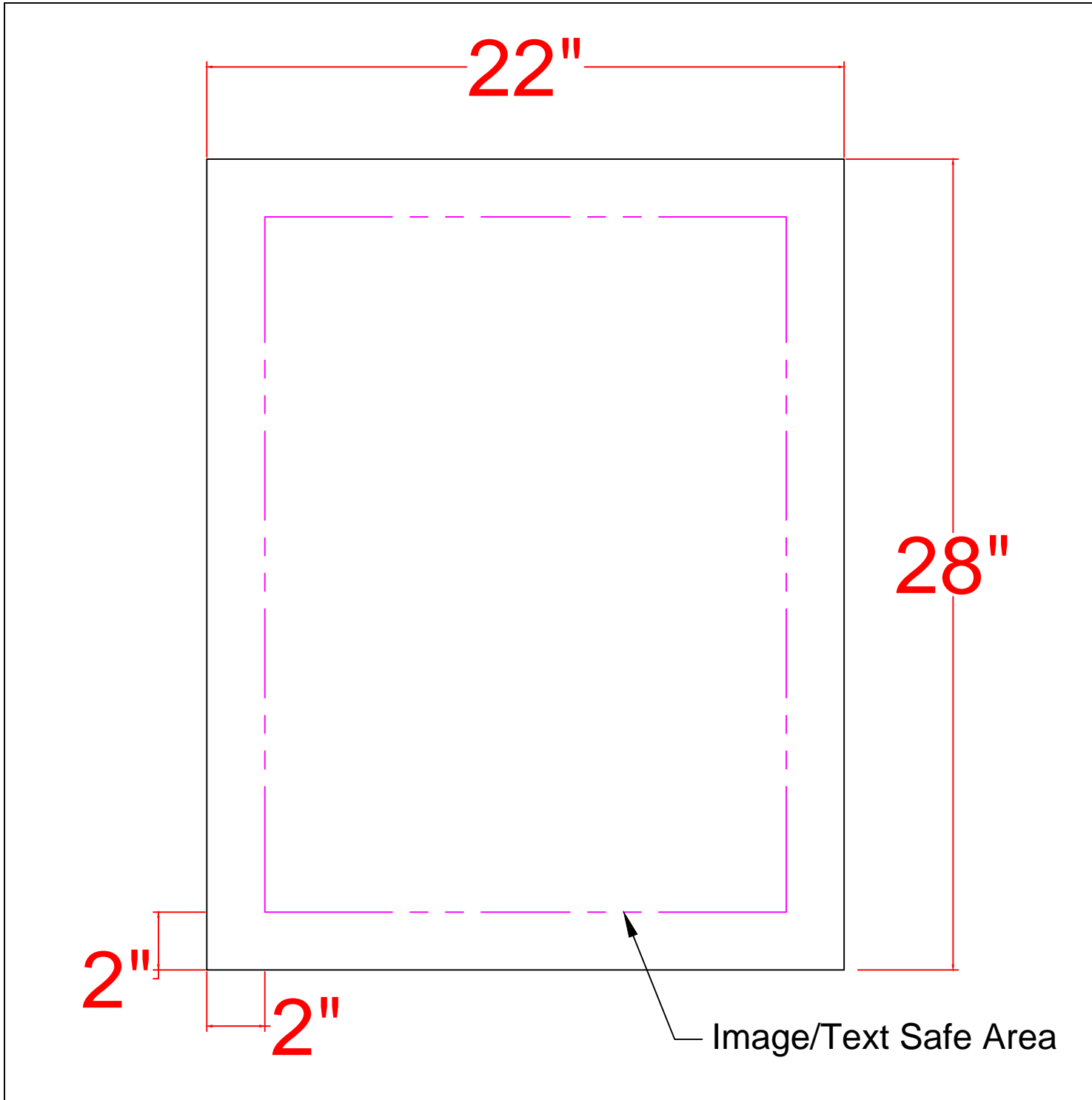
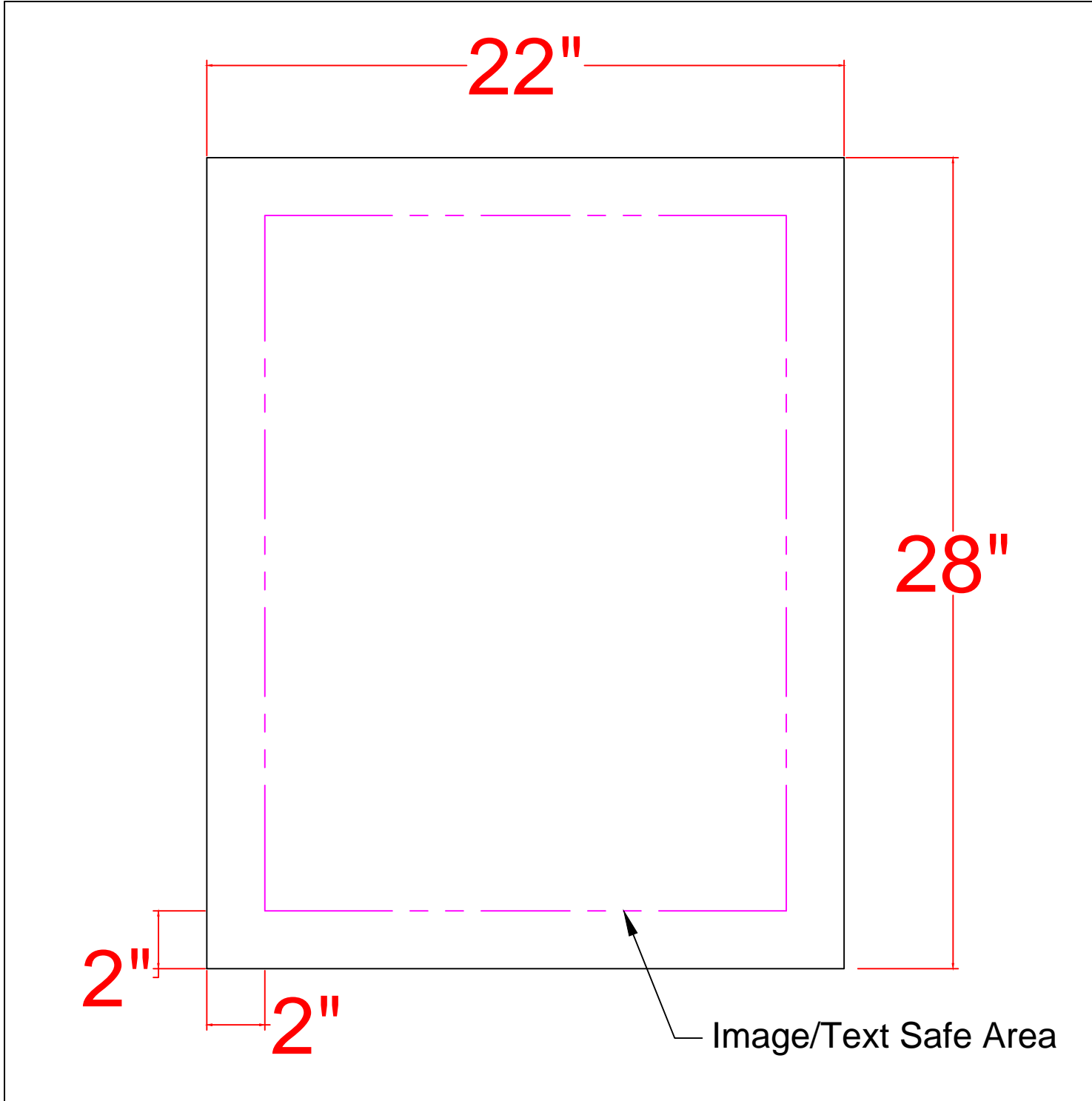


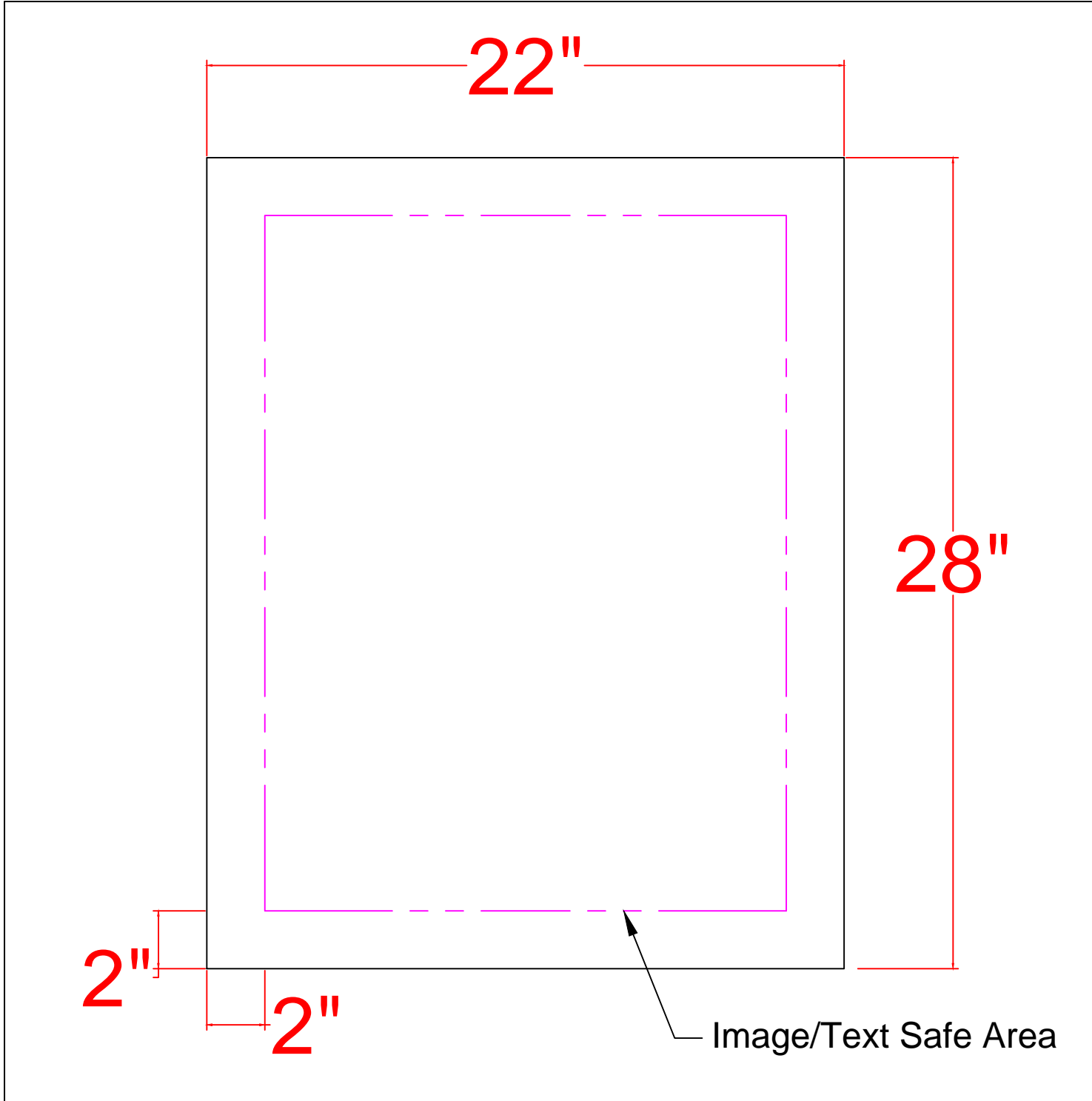
Date:	Job #:
Client:	
Size: 22"w x 28"h	
TAG(s):	
QTY:	
Drawn By: M.F	
Description:  <u>Poster Graphic</u> - recommended for single use only  Keep All critical Text/imagery 2" away from all outermost edges as noted on spec.	
	





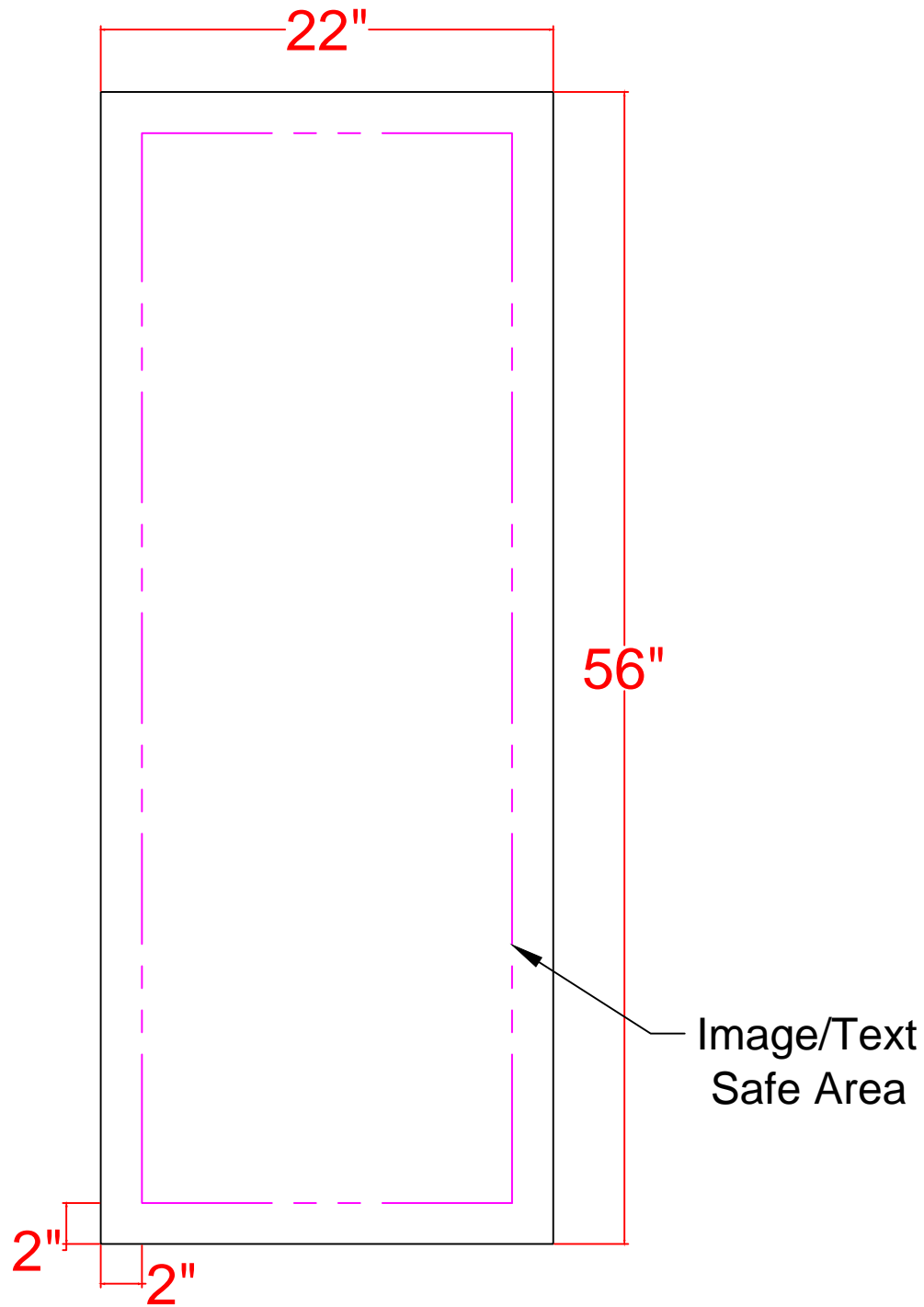
Date:	Job #:
Client:	
Size: 22"w x 28"h	
TAG(s):	
QTY:	
Drawn By: M.F	
Description:  Premium Laminate Material,  Keep All critical Text/imagery 2" away from all outermost edges as noted on spec.	




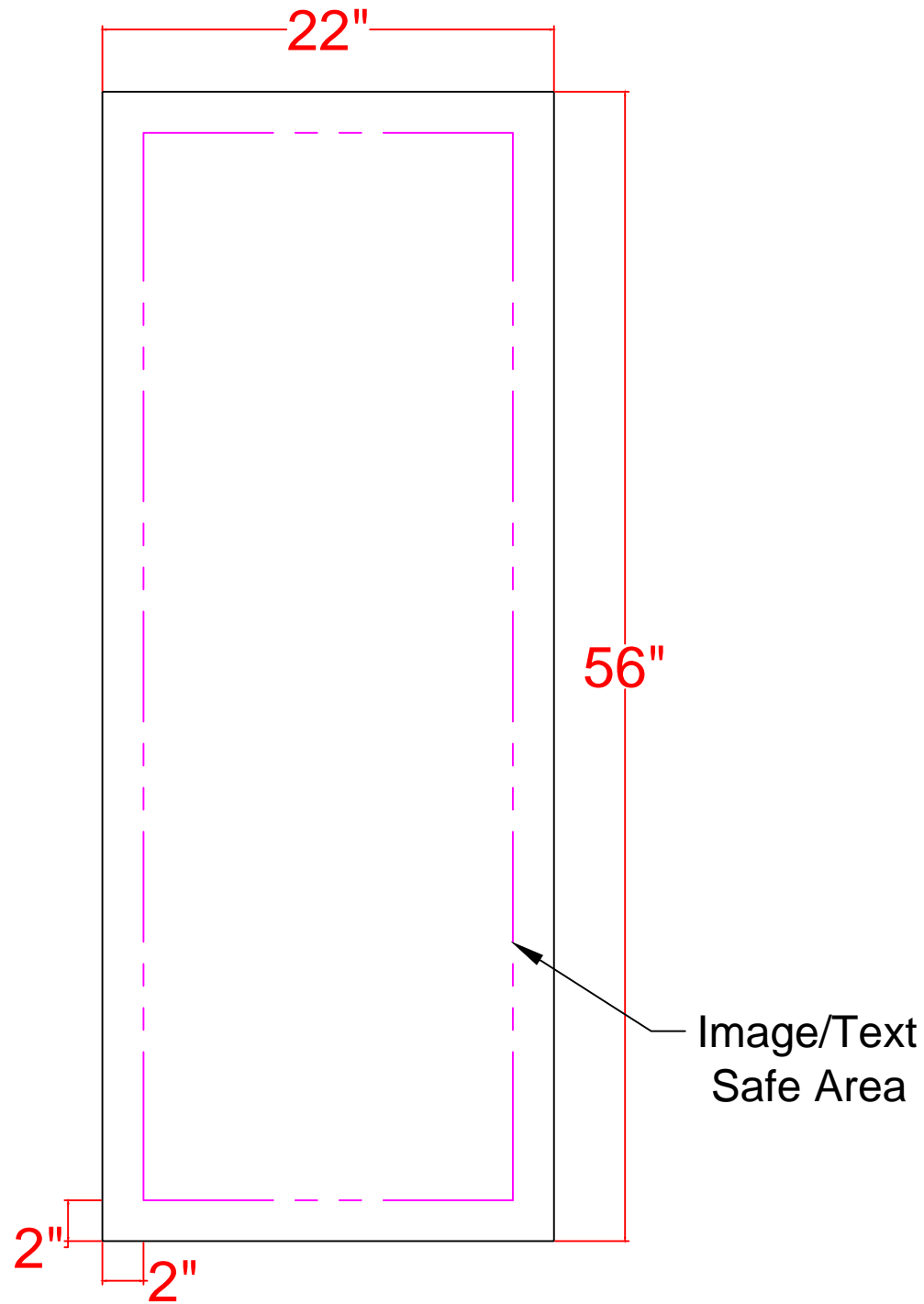



Date:	Job #:
Client:	
Size: 22"w x 28"h	
TAG(s):	
QTY:	
Drawn By: M.F	
Description:  SPG Material,  Keep All critical Text/imagery 2" away from all outermost edges as noted on spec.	

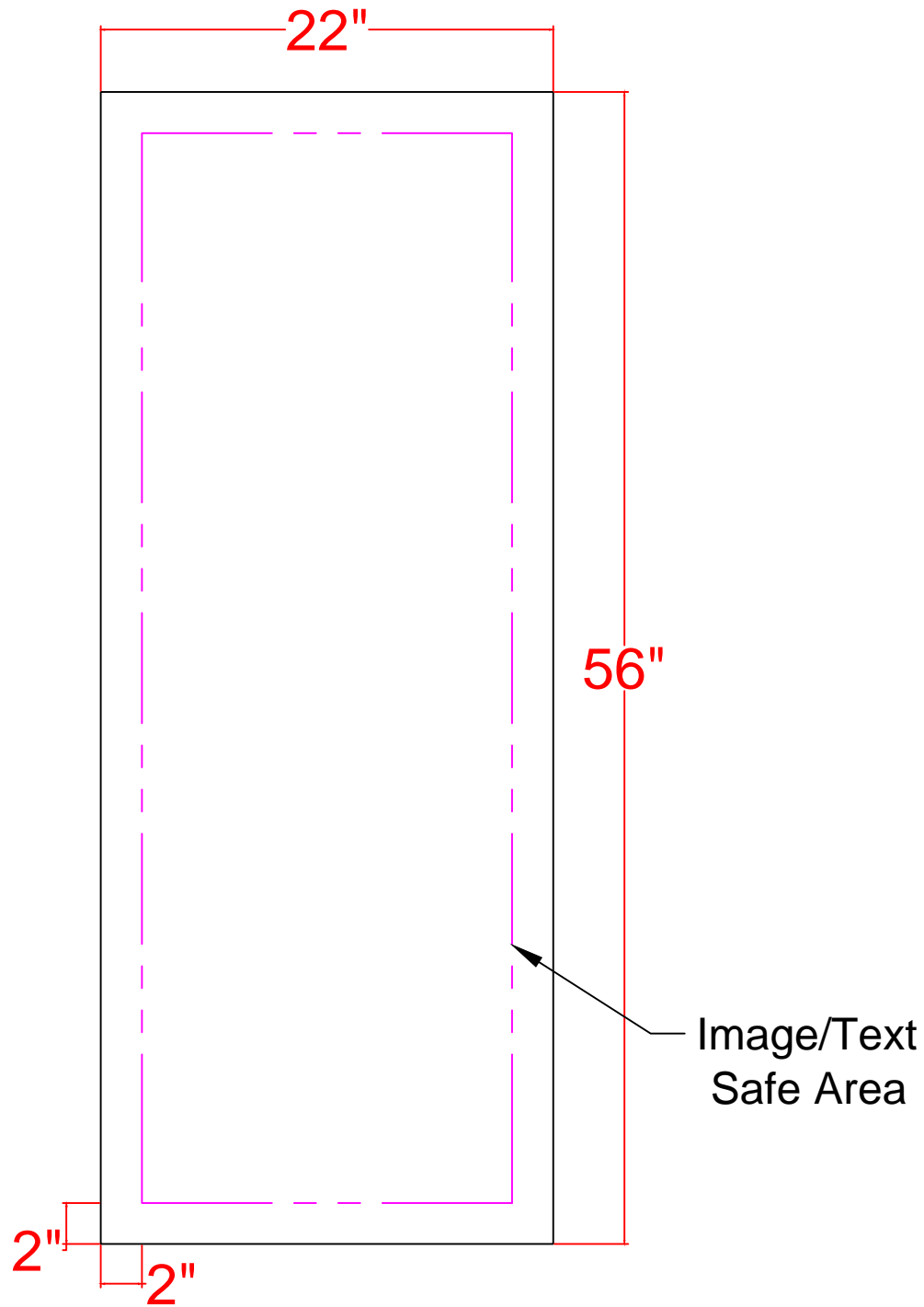






Date:	Job #:
Client:	
Size: 22"w x 56"h	
TAG(s):	
QTY:	
Drawn By: M.F	
Description:  <u>Poster Graphic</u> - recommended for single use only  Keep All critical Text/imagery 2" away from all outermost edges as noted on spec.	
	

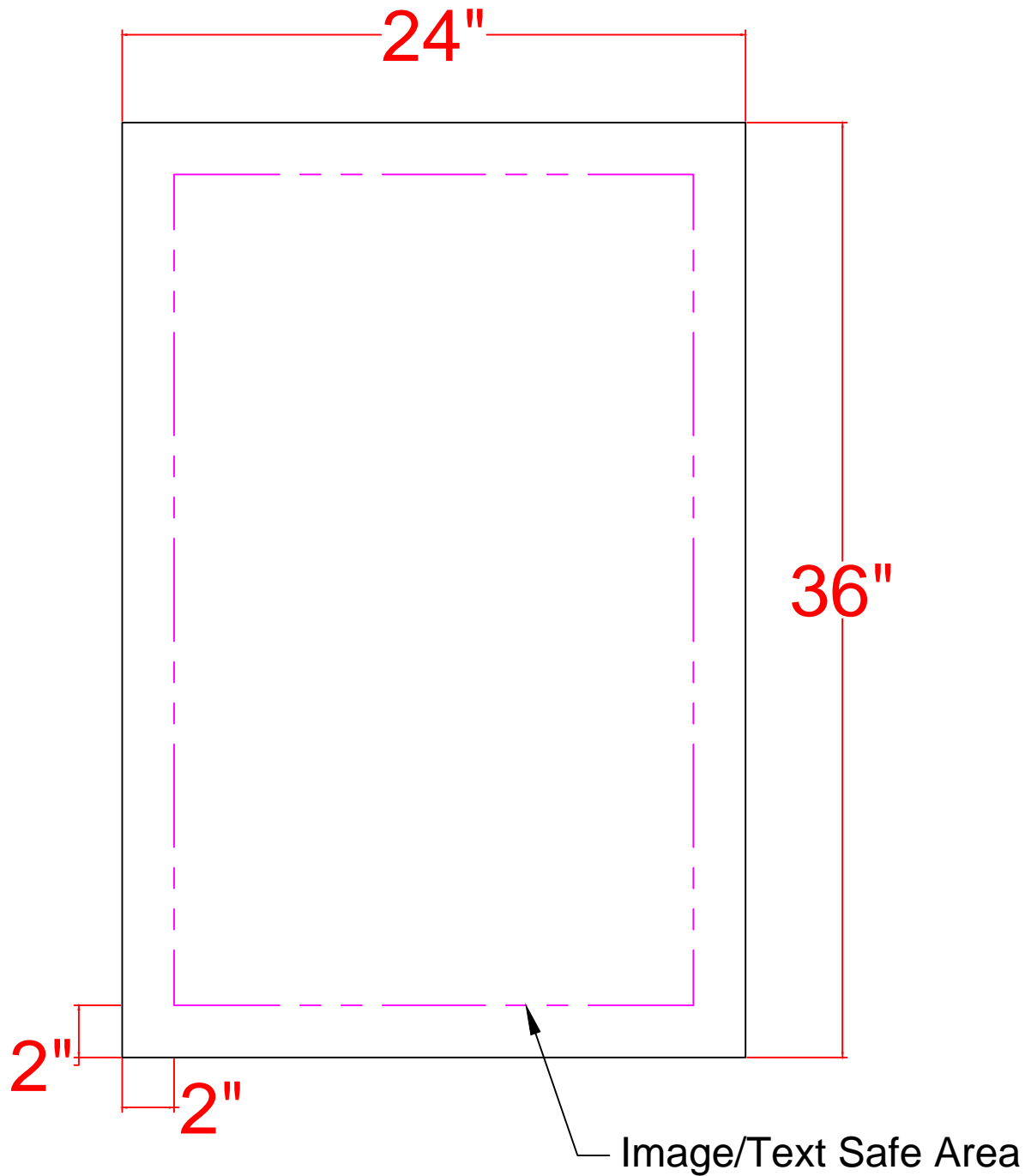


Date:	Job #:
Client:	
Size: 22"w x 56"h	
TAG(s):	
QTY:	
Drawn By: M.F	
Description:  <u>Premium Laminate Material</u>  Keep All critical Text/imagery 2" away from all outermost edges as noted on spec.	
	



Date:	Job #:
Client:	
Size: 22"w x 56"h	
TAG(s):	
QTY:	
Drawn By: M.F	
Description:  <u>SPG Material</u>  Keep All critical Text/imagery 2" away from all outermost edges as noted on spec.	
	

Date:	Job #:
Client:	
Size: 24"w x 36"h	
TAG(s):	
QTY:	
Drawn By: M.F	
Description:  <u>Poster Graphic</u> - recommended for single use only  Keep All critical Text/imagery 2" away from all outermost edges as noted on spec.	
	



Date: Job #:

Client:

Size:  
24"w x 36"h

TAG(s):

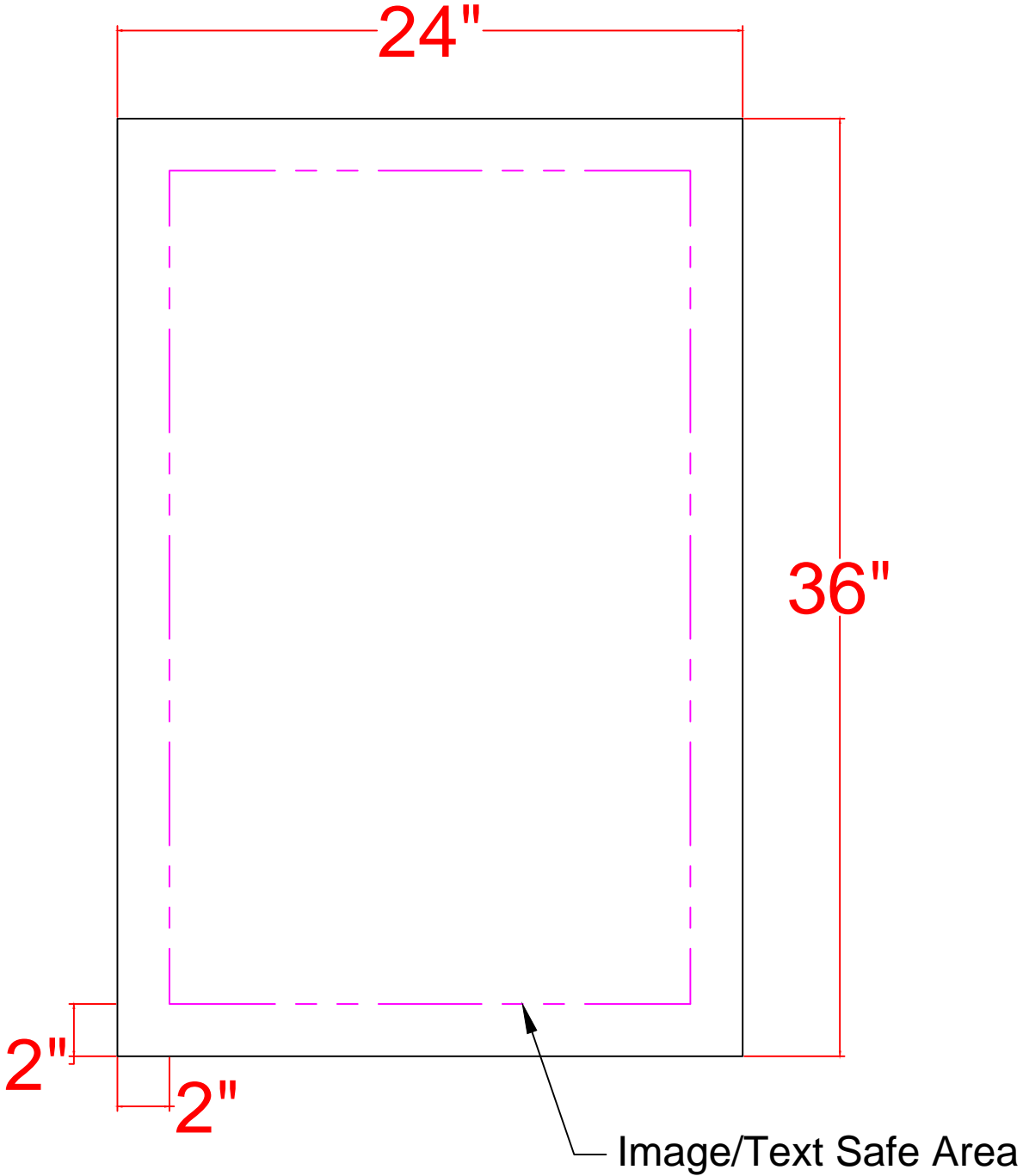
QTY:

Drawn By:  
M.F

Description:

Premium Laminate Material,

Keep All critical Text/imagery 2"  
away from all outermost edges as  
noted on spec.





Date:	Job #:
Client:	
Size: 24"w x 36"h	
TAG(s):	
QTY:	
Drawn By: M.F	
Description:  SPG Material,  Keep All critical Text/imagery 2" away from all outermost edges as noted on spec.	
